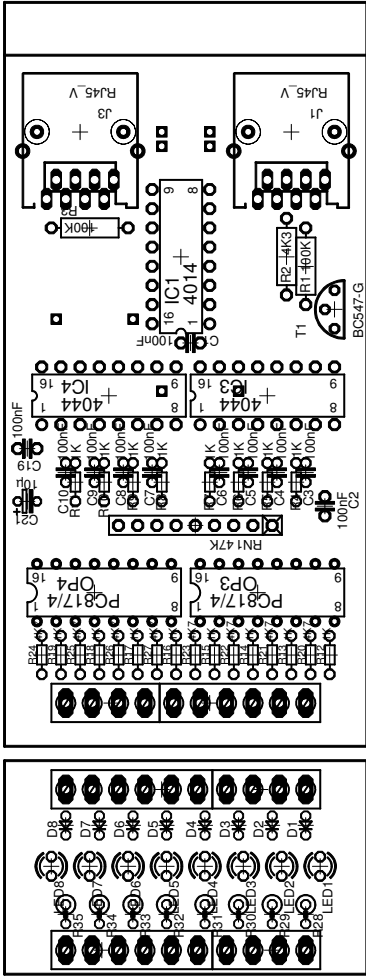
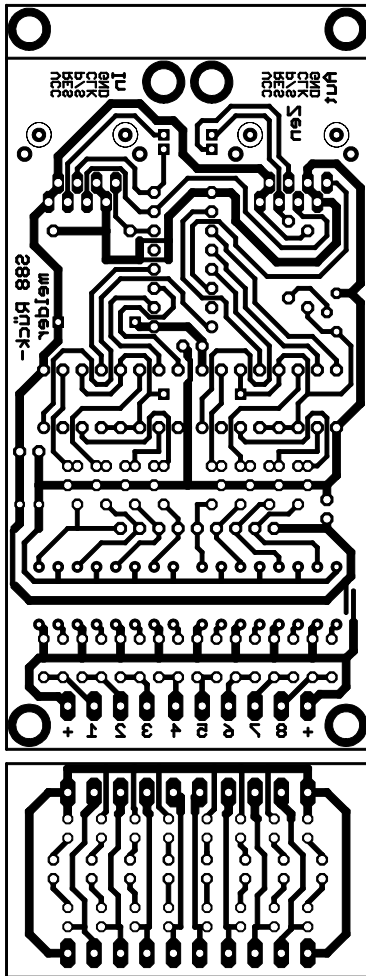


TITLE: S88_8	REV:
Document Number:	
Date: 02.06.2014 20:07:06	Sheet: 1/1





## Rückmelder S88-8

Bauteil	Wert	Device	Package	Description
C1 - C9	100nF	CAPNP-2,5	C-2,5	
C10	100nF	CAPNP-2,5@2	C-2,5@2	
C19	100nF	CAPNP-2,5	C-2,5	
C21	10µ	ELC-2,5	ES-2,5	
CON1	CON3,5-4	CON3,5-4	CON3,5-4	
CON2	CON3,5-6	CON3,5-6	CON3,5-6	
CON3	CON3,5-4	CON3,5-4	CON3,5-4	
CON4	CON3,5-6	CON3,5-6	CON3,5-6	
CON5	CON3,5-4	CON3,5-4	CON3,5-4	
CON6	CON3,5-6	CON3,5-6	CON3,5-6	
D1 - D8	4148	DIODE-D-2.5	D-2.5	DIODE
IC1	4014	4014	DIL16	
IC3	4044	4044	DIL16	
IC4	4044	4044	DIL16	
J1	RJ45_V	RJ45_V	RJ45_V	
J3	RJ45_V	RJ45_V	RJ45_V	
LED1 -	LED8	LED3MM	LED3MM	LED
OP3	PC817/4	PC817/4	DIL16	
OP4	PC817/4	PC817/4	DIL16	
R1	100K	RESEU-10	R-10	
R2	4K3	RESEU-10	R-10	
R3	100K	RESEU-10	R-10	
R4	1K	RESEU-10@2	R-5	
R5	1K	RESEU-10@2	R-5	
R6	1K	RESEU-10@2	R-5	
R7	1K	RESEU-10@2	R-5	
R8	1K	RESEU-10@2	R-5	
R9	1K	RESEU-10@2	R-5	
R10	1K	RESEU-10@2	R-5	
R11	1K	RESEU-10@2	R-5	
R12	1K	RESEU-10@2	R-5	
R13	1K	RESEU-10@2	R-5	
R14	1K	RESEU-10@2	R-5	
R15	1K	RESEU-10@2	R-5	
R16	1K	RESEU-10@2	R-5	
R17	1K	RESEU-10@2	R-5	
R18	1K	RESEU-10@2	R-5	
R19	1K	RESEU-10@2	R-5	
R20	4K7	RESEU-7,5	R-5	
R21	4K7	RESEU-7,5	R-5	
R22	4K7	RESEU-7,5	R-5	
R23	4K7	RESEU-7,5	R-5	
R24	4K7	RESEU-7,5	R-5	
R25	4K7	RESEU-7,5	R-5	
R26	4K7	RESEU-7,5	R-5	
R27	4K7	RESEU-7,5	R-5	
R28	4K7	R-EU_0207/2V	0207/2V	
R29	4K7	R-EU_0207/2V	0207/2V	
R30	4K7	R-EU_0207/2V	0207/2V	
R31	4K7	R-EU_0207/2V	0207/2V	
R32	4K7	R-EU_0207/2V	0207/2V	
R33	4K7	R-EU_0207/2V	0207/2V	
R34	4K7	R-EU_0207/2V	0207/2V	
R35	4K7	R-EU_0207/2V	0207/2V	
RN1	47K	RN08	RN-9	
T1	BC547-G	BC547-G	T092-G	